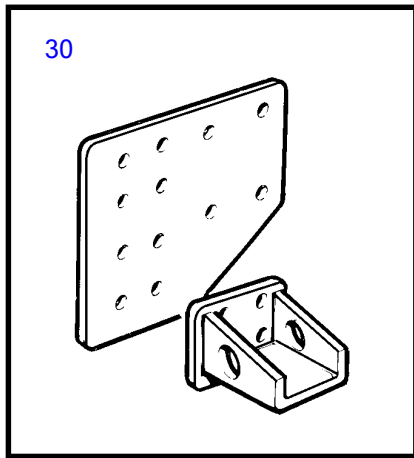
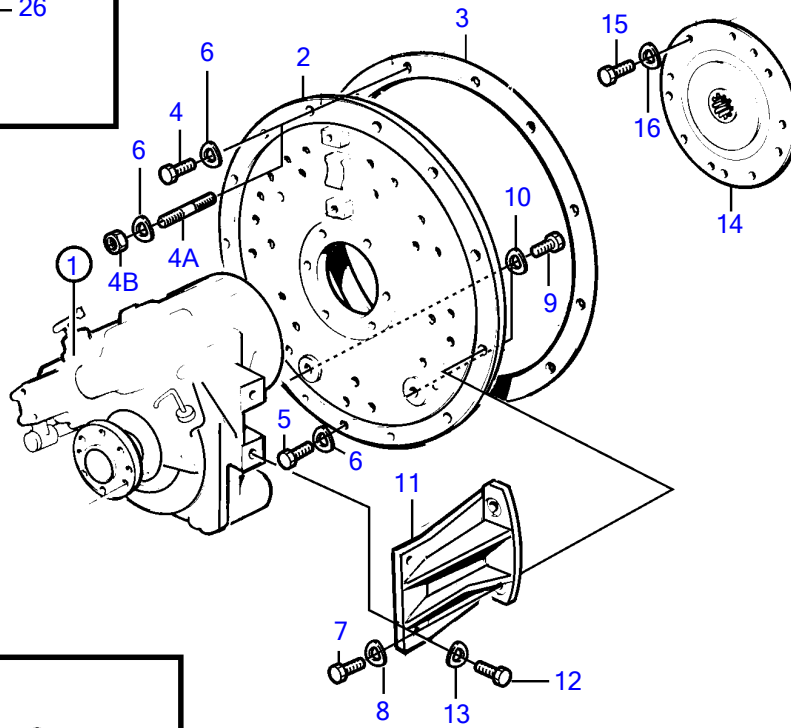
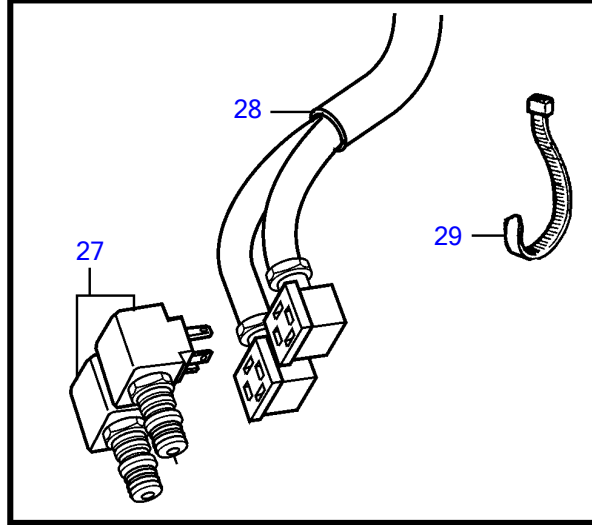
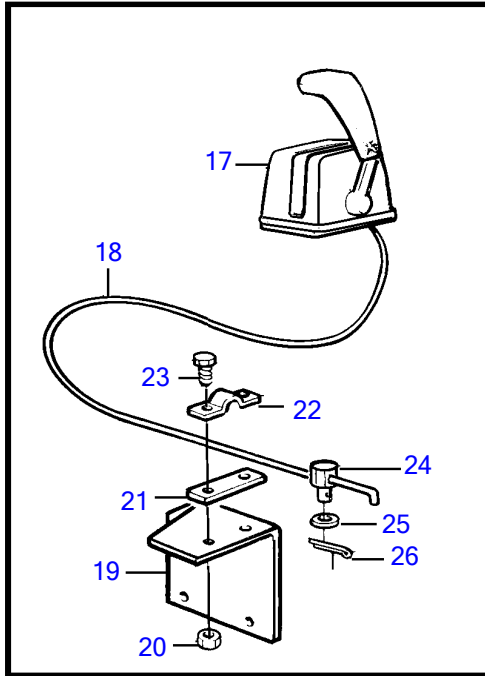


TAMD63L-A, TAMD63P-A



## TAMD63L-A, TAMD63P-A

REF	PART NO.	QTY	DESCRIPTION	NOTES
1		1	Reversing gear • parts not sold separately	Ratio 1.4:1
2	866040	1	Cover	
3	862623	1	Gasket	
4	955535	6	Hexagon screw	Earlier prod.
4A	953486	12	Stud	Late type
4B	955827	12	Hexagon nut	Late type
5	940115	2	Hexagon screw	
6	942336	8	Spring washer	
7	940162	4	Hexagon screw	
8	942336	4	Spring washer	
9	970949	8	Hexagon screw	
10	941908	8	Spring washer	
11	842514	1	Bracket	
	842216	1	Bracket	
12	970969	4	Hexagon screw	
13	940280	4	Spring washer	
14	3826243	1	Vibration damper	
15	956582	8	Hex. socket screw	
16	942336	8	Spring washer	
17		X	Control	
18		X	Control cable	
19	(862570)	1	Bracket	Obsolete part
20	963104	2	Lock nut	
21	819068	1	Washer	
22	21471054	1	Bracket	For control cable 333, 33C.
	6853782	1	Cable clamp	For control cable 443, 43C.
23	956079	2	Cross recessed screw	
24	853217	1	Cube	
25	940191	1	Washer	
26	949791	1	Split pin	
27	3827257	2	Solenoid	12V
	3826414	2	Solenoid	24V
28	873827	1	Cable kit	
29	948211	X	Cable tie	
30			Engine suspension	See group 21